

Pryda Stren-Joist

New to the market Stren-joist has been designed to allow holes to be cut in floor & ceiling joists to enable pipes, wiring or other services to be passed through re-instating the integrity of the penetration.

Features:

1. One size fits 140-290mm joists
2. Can be retro-fitted (after services)
3. Can be nailed or screwed
4. Quick and easy to install
5. All components supplied in Kit

Benefits:

1. Only one needed
2. More convenient
3. Allows choice
4. Saves labour costs
5. No need to source

Nail Plate Stren-Joist
 Code: NPSJ
BARCODE NO.
 9421026210135

Note 1: Timber grade can be MSG8 or better

Note 2: The edge of the penetration shall be at least the joist depth from the end of the joist

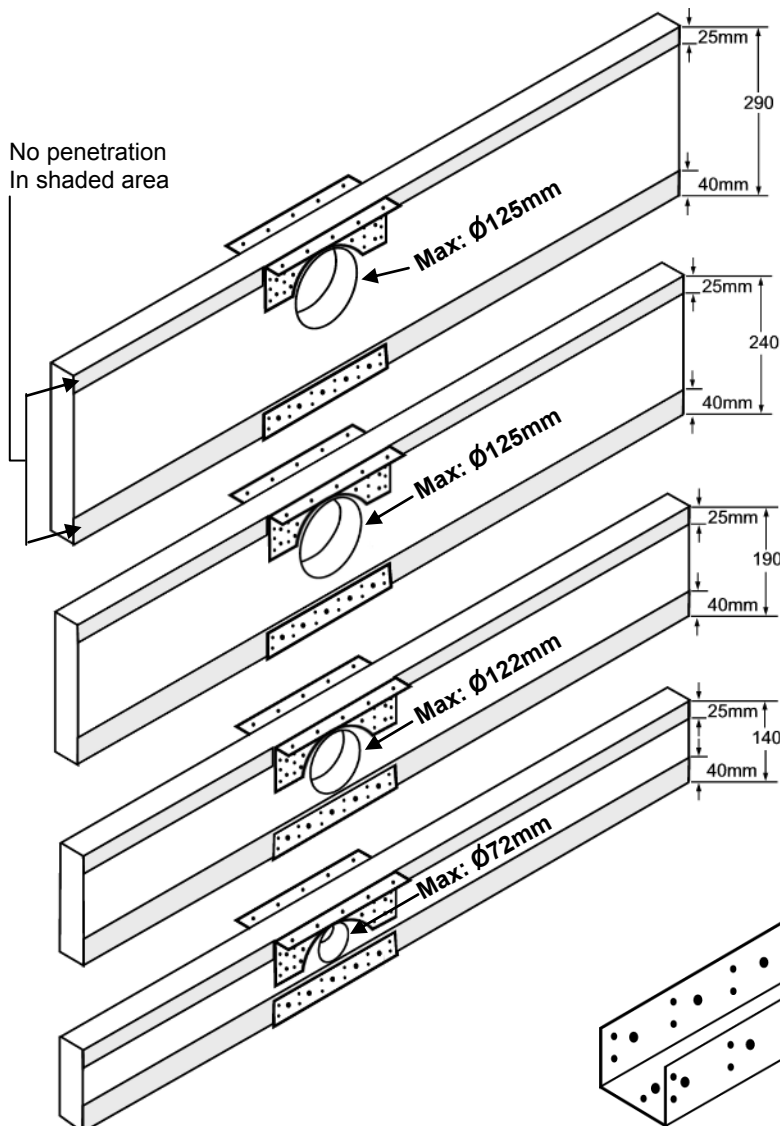
Note 3: Pryda nails 30 x 3.15mm supplied with the kit are not to be substituted with nails of a lesser diameter such as standard clouts

Each kit contains: 1 x 'U' channel, 2 x arched angles, 1 x 500gm Pryda product nails and 10 of 8g x 20mm screws.

Maximum Joist Penetration (mm)

Joist Size	Max hole size
290 x 45	125
240 x 45	125
190 x 45	122
140 x 45	72

NOTE: If the hex head screw fixing option is preferred then use 20/12g x 35mm Type 17 galvanised screws Not supplied in kit but can be purchased separately.
RSL CODE: T1235/20



All screw holes filled with screws (provided) into floorboard

Alternatively use 12g x 35mm hex head Tek screws in screw holes (not provided)

All nail holes filled with Pryda product nails (to joist)

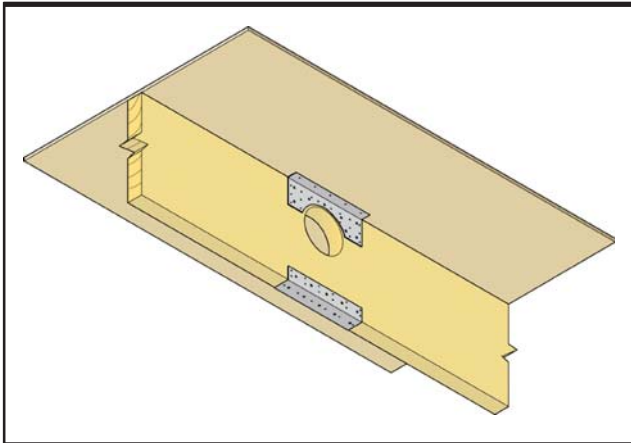
P.T.O. For Producer Statement

Stren-Joist



Ph: 07 850-4200 Fax: 07 850-4204
 rsl@simplefix.co.nz
 www.simplefix.co.nz

Re-instates integrity of penetrated joists.



Specifications

Material:	1.6mm Z275 galvanised steel.
Product Code:	NPSJ
Each kit contains:	1 x 'U' channel, 2 x arched angles, 1 x 500gm of Pryda Product Nails and 10 /8g x 20mm screws. (If the hex screw fixing option is used then 30 /12g x 35mm hex head type #17 galvanised screws are required.
Packing:	1 per carton

Features

The Pryda Stren-Joist has been designed to allow holes to be cut in floor joists to enable pipes, wiring or other services to be passed through the joist. The fitting of a Pryda Stren-Joist re-instates the integrity of the penetrated joist.

Advantages

- Quick and easy to install
- Fixing option of either nailing or screwing.
- Note—Fixing to the flooring must be done with screws provided. All other holes can use either nails or screws
- Can be retro-fitted. There is no requirement to remove services to fit the Stren-Joist
- Comes in one size, designed to fit 140—290mm joists
- Allows an easy solution to fix penetrations in floor joists made by other trades
- Timber grade can be SG8 or better
- The edge of the penetration shall be at least the joist depth from the end of the joist
- All components are available in a single kit - Pryda Code NPSJ.

Installation

The Pryda Stren-Joist retrofit installation is self-evident and normal good building practice is assumed during installation. The product is suitable for the all joist sizes between 140 x 45mm to 290 x 45mm but is not suitable for 90 x 45mm joist.

Application

The Pryda Stren-Joist is intended to re-instate the structural integrity of joist that has suffered service holes after erection. The hole can be made in any position along the span of the joist provided that the hole edge is not closer than one joist depth from the end supports of the joist.

Durability

The durability of the Pryda Stren-Joist is in accordance with the acceptable solutions contained in Table 4.1 of NZS3604:2011 and is intended for internal “closed spaces”. It is not suitable where this table specifies 304 stainless steel products.

Maximum Joist Penetration	
Joist Size	Max Hole size
140 x 45	72mm
190 x 45	122mm
240 x 45	125mm
290 x 45	125mm



Distributed by RSL Simplefix Support Systems

Pryda Stren-Joist

Alternative Solution to NZS3604:2011 CI 8.51.6 and 8.7.5

Alternative solution where strengthening of joists are required after a hole or notch has been made in a joist, refer to NZS3604:2011 cl 8.5.1.6 and cl 8.7.5.

Specification

Product Code:

NPSJ

Material:

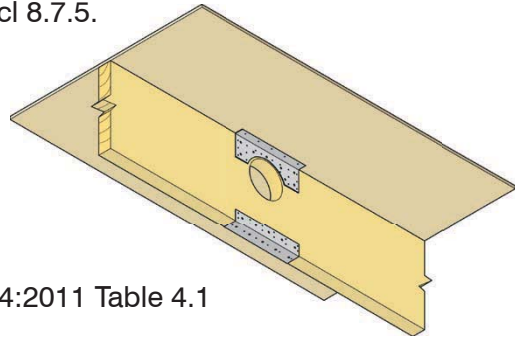
1.65mm G300 Z275 galvanised steel

Durability:

Suitable for use in closed environment as per NZS3604:2011 Table 4.1

Application:

Designed to reinstate the structural integrity of a joist after a service hole has been drilled through the member using the verification methods in accordance with the New Zealand Building Code B1 & B2.



Advantages:

- Quick and easy to install
- Fixing option of either nails or screws
- Can be retro-fitted
- One size designed for use on 140—290mm joists

Installation:

1. Use NPSJ to locate and correct vertical location of hole along the joist. Care shall be exercised when installing NPSJ in 140x90mm joist where hole location is critical.
2. The hole can be made in any position along the span of the joist provided that the hole edge is no closer than one joist depth from the end supports of the joist. Refer to table for maximum hole size in joist
3. Present the two angles to either side of hole as shown and nail or screw into place ensuring a tight snug fit onto joist and underside of flooring (use 10 / 8gx20mm screws for top flange)
4. Present channel to underside of joist and nail or screw into place ensuring a tight and snug fit.

Notes:

- If hex screw fixing option is used then 30 / 12g x 35mm T17 hex head screws are required. (not supplied with the NPSJ kit.)
- All nail or screws holes shall be filled
- Intended for use in internal 'closed space' as per Table 4.1 of NZS3604:2011

Joist Size (mm)	Max Hole Size (mm)
140 x 45	72
190 x 45	122
240 x 45	125
290 x 45	125

