

Producer Statement

pryda

November 2015

Pryda Stren-Joist

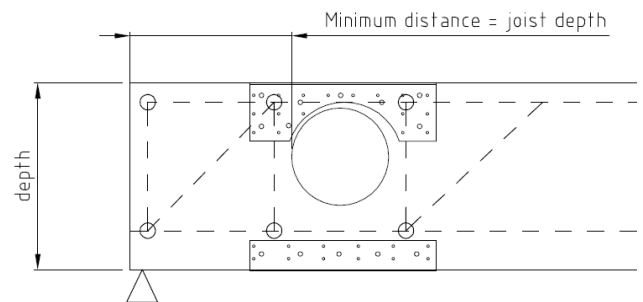
This Producer Statement is issued by Pryda NZ to cover the use and installation of the Pryda Stren-Joist for both structural application and durability as required by the New Zealand Building Code clauses B1 & B2 respectively.

DESCRIPTION

The Pryda Stren-Joist is manufactured from Z275 1.6mm thick galvanised coil. Each kit contains: 1 x 'U' channel, 2 x arched angles, 1 x 500gm of Pryda Product Nails and 10 /8g x 20mm screws. (If the hex screw fixing option is used then 30 /12g x 35mm hex head type #17 galvanised screws are required. Not supplied). The product can be retrofitted after the hole has been cut in the joist.

APPLICATION

The Pryda Stren-Joist is intended to reinstate the structural integrity of joist that has suffered service holes after erection. The hole can be made in any position along the span of the joist provided that the hole edge is not closer than one joist depth from the end supports of the joist.



INSTALLATION

The Pryda Stren-Joist retrofit installation is self-evident and normal good building practice is assumed during installation. The NPSJ is suitable for the all joist sizes between 140 x 45 to 290 x 45 but is not suitable for 90 x 45 joist. The NPSJD is suitable for double joists 140 x 90 to 290 x 90 giving the total thickness of 90mm.

STRUCTURAL INTEGRITY AND STRENGTH

The installed Pryda Stren-Joist will reinstate the strength joist in the vicinity of the service hole and this is calculated using the verification methods in accordance with the NZBC standards including NZS3603:1993.

DURABILITY

The durability of the Pryda Stren-Joist is in accordance with the acceptable solutions contained in Table 4.1 of NZS3604:2011 and is intended for internal "closed spaces". It is not suitable where this table specifies 304 stainless steel products.

A C van Blerk B Sc (Eng). (Civil), MIPENZ (214689) CPEng IntPE.
ENGINEER - PRYDA TIMBER CONNECTORS